

BYPASS VALVE OPERATION

Figure 1

NORMAL OPERATION

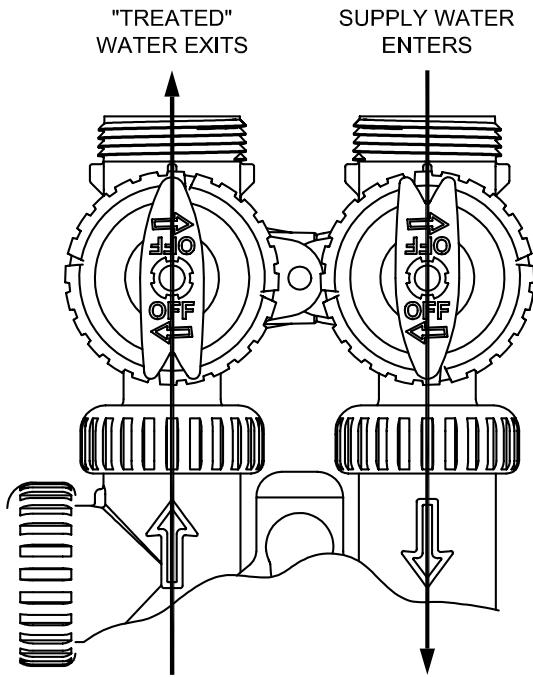
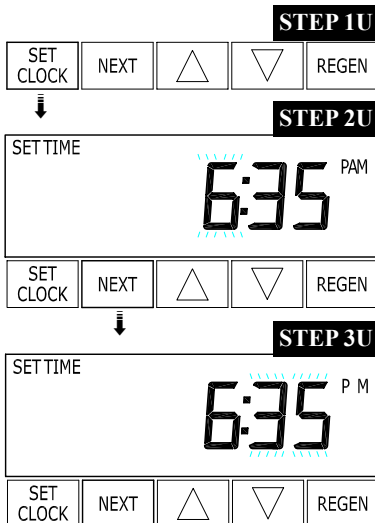
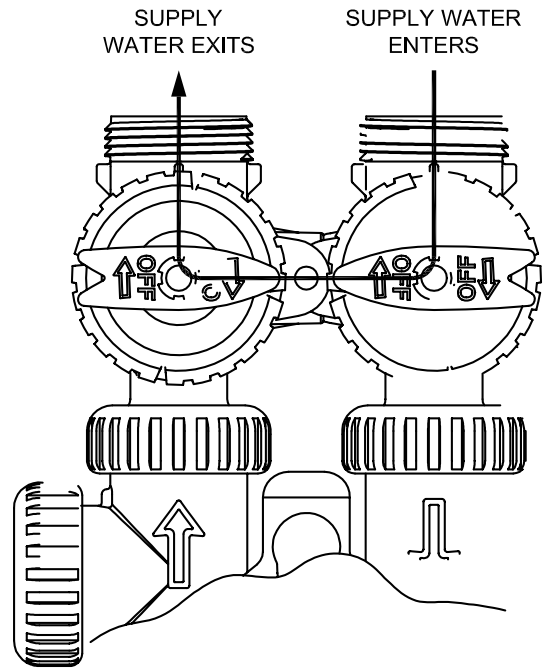


Figure 2

BYPASS OPERATION



Set Time of Day

The user can also set the time of day. Time of day should only need to be set after extended power outages or when daylight saving time begins or ends. If an extended power outage occurs, the time of day will flash on and off which indicates the time of day should be reset.

STEP 1U – Press SET CLOCK.

STEP 2U - Current Time (hour): Set the hour of the day using ∇ or Δ buttons. AM/PM toggles after 12. Press NEXT to go to step 3U.

STEP 3U - Current Time (minutes): Set the minutes of the day using ∇ or Δ buttons. Press NEXT to exit Set Clock. Press REGEN to return to previous step.